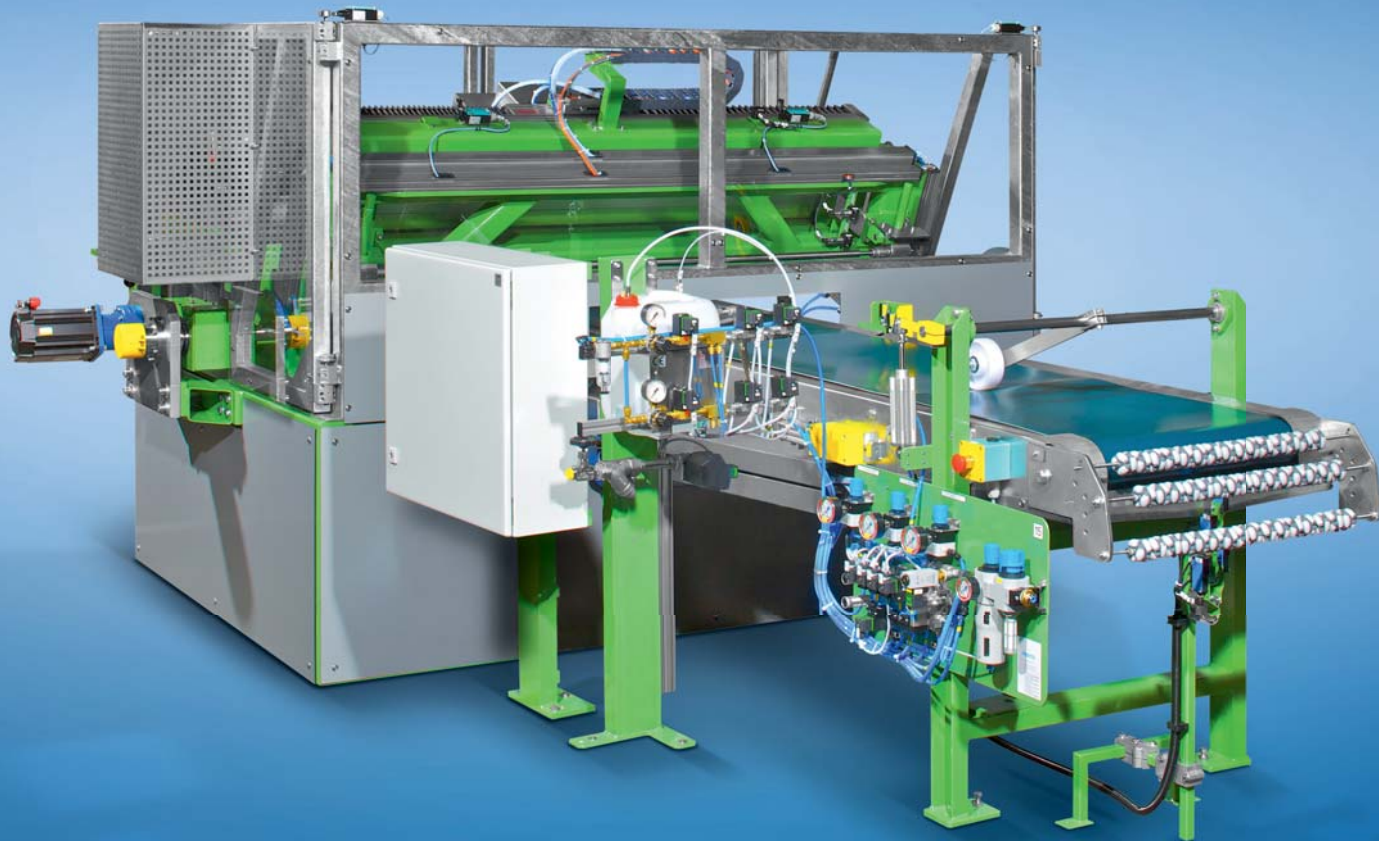


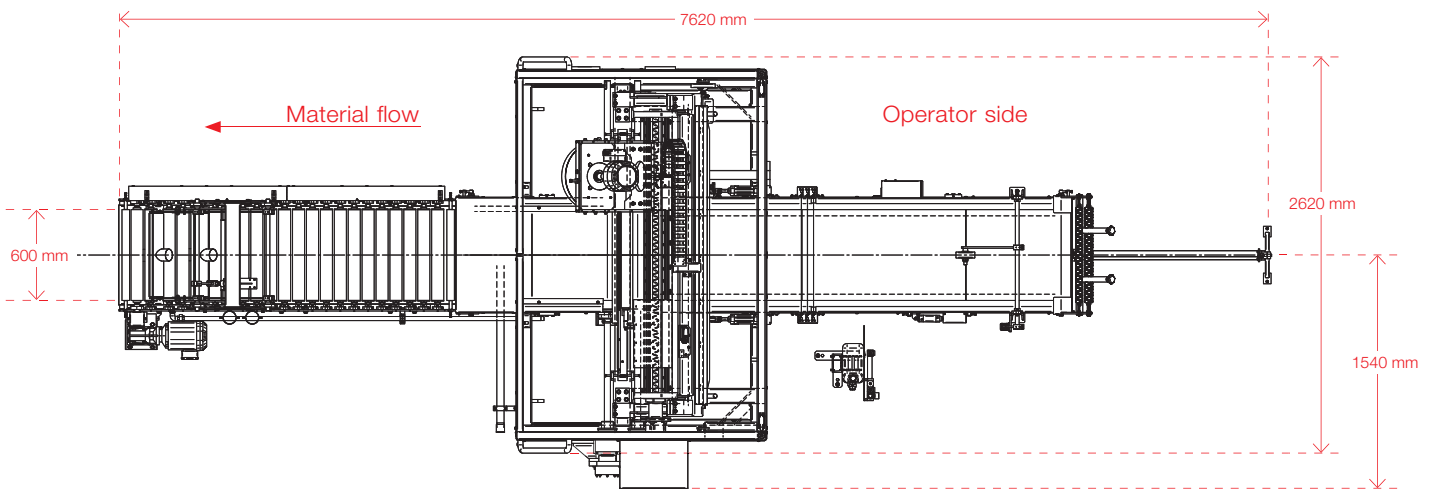
# Tread Cutting Machine



**TROESTER**

EXCELLENCE IN EXTRUSION.

# Tread Cutting Machine



Technical Data		TC 600 / Passenger tires	TC 1000 / Truck tires
Max. tread length, approx.	mm	2800	4000
Min. tread length, approx.	mm	1500	Client requirement
Tread thickness, max.	mm	25	50
Cutting angle to the production line		90°	90°
Cutting angle to the tread surface		20°-30° manually adjustable	manually adjustable; depends on tread thickness (at approx. 50 mm a cutting angle of 30° is possible)
Line width	mm	600	1000
Max. tread width, approx.	mm	400	850
Mechan. length tolerance	mm	+/- 1	+/- 1
Cutting knife diameter	mm	400-500	400-500
Accuracy of cut length dependent on compound shrinkage or elongation	mm	+/- 1,5	+/- 2
Number of cuts		26/min	18/min

The effective number of cuts (treads per minute) is determined by the line speed depending on length and width of the cut. All dimensions are guide lines. Differences are possible.

## TROESTER Tread Cutting Machine at a glance:

- > continuous operation
- > for passenger car (up to 2800 mm length) and truck treads (up to 4000 mm length)
- > programmable control system easily integrated into existing equipment



Knife carriage with traversing device

